

| *SINGLE TUBULAR UPSWEEP ARM SPECIFICATIONS | | |
|--|------------------|------------|
| CATALOG NO. | ARM LENGTH (FT.) | RISE (FT.) |
| HPS-1-2014 | 4' | 3' |
| HPS-1-2016 | 6' | 3' |
| HPS-1-2018 | 8' | 3' |

| POLE SPECIFICATIONS | | | |
|---------------------|---------------------|------------------|--------------------|
| NO. | COMPONENT | ASTM DESIGNATION | MIN. YIELD (P.S.I) |
| 1. | POLE SHAFT | A-595 GR. A | 55,000 |
| 2. | BASE PLATE | A36 | 36,000 |
| 3. | ANCHOR BOLTS | F1554 GR. 55 | 55,000 |
| 4. | GALVANIZED HARDWARE | A153 | - |

POLES SHALL HAVE A POLYESTER POWDER COAT FINISH IN A STANDARD COLOR.

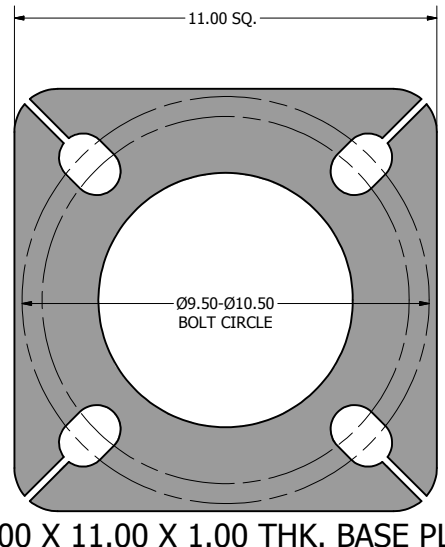
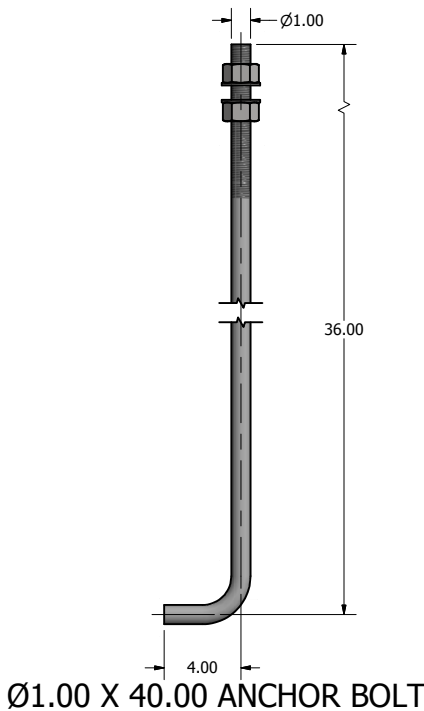
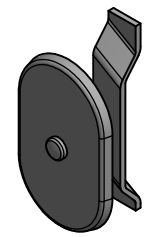
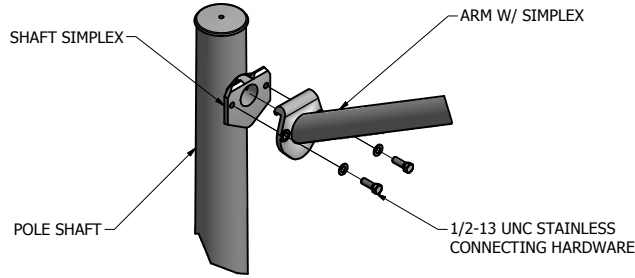
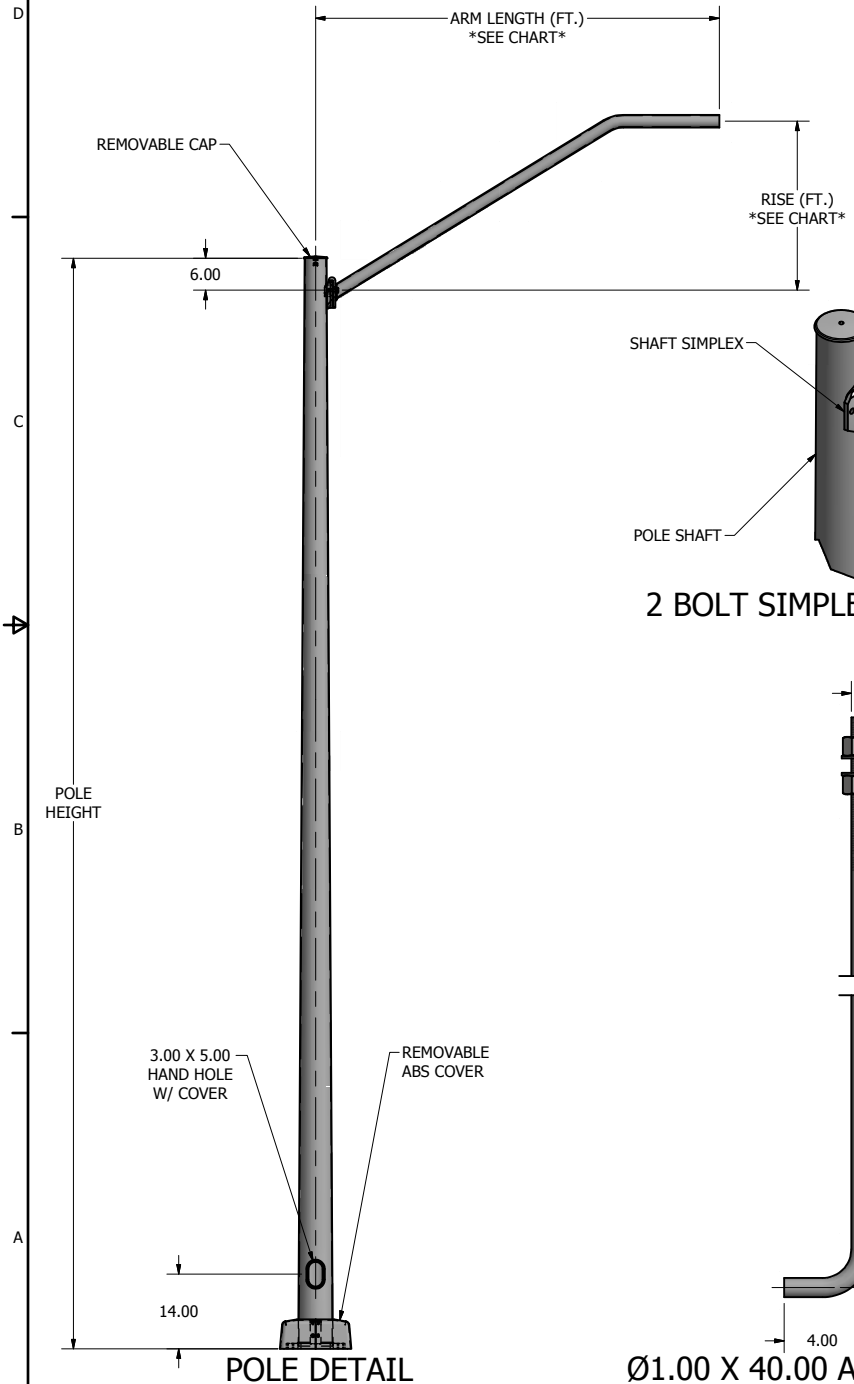
| POLE DIMENSIONS | | | |
|-----------------|----------------|-------------------|-----------------|
| POLE HGT. (FT.) | TOP DIA. (IN.) | BOTTOM DIA. (IN.) | MTG. HGT. (FT.) |
| 17' | 4.12 | 6.50 | 20' |

| BASE PLATE DIMENSIONS | | | |
|-----------------------|-----------------------|-----------------|------------------|
| BOLT CIRCLE (IN.) | BASE PLATE DIM. (IN.) | BOLT HOLE (IN.) | PLATE THK. (IN.) |
| 9.50-10.50 | 11.00 SQ | 1.25 | 1.00 |

| ANCHOR BOLT DIMENSIONS | |
|------------------------|--------------------------|
| ANCHOR BOLT DIA. (IN.) | ANCHOR BOLT LENGTH (IN.) |
| 1.00 | 40.00 |

| ALLOWABLE WIND LOADING (SQ. FT.) PER ARM | |
|--|-----|
| WIND* | EPA |
| 100 MPH | 2.0 |

*WITH 1.3 GUST FACTOR



SOME GEOGRAPHICAL AREAS HAVE SPECIAL WIND CONDITIONS THAT CAN CREATE WIND INDUCED VIBRATIONS CAUSING A FATIGUE PROBLEM. NO METHOD HAS YET BEEN FOUND FOR PREVENTING OR REDUCING THESE VIBRATIONS. THEREFORE, WIND CONDITIONS ARE REQUIRED TO BE PROVIDED BY THE USER. GENERAL STRUCTURES, INC. CANNOT BE HELD RESPONSIBLE FOR ANY DAMAGE TO PROPERTY OR PERSONS THAT MAY BE CAUSED BY SUCH VIBRATIONS.

TITLE: _____

CATALOG: _____

DWG NO: HPS-1-2014-HPS-1-2018

SIZE: C

SHEET 1 OF 1

23171 Groesbeck Hwy.
Warren, MI 48089
P: (586) 774-6105 | F: (586) 774-5706
www.generalstructuresinc.com

GENERAL STRUCTURES INC.
A DIV. COMPANY

ops inc.

| | |
|-------------------|-------------|
| DRAWN: M. HARVALA | 2/18/2015 |
| CHECKED | DATE: |
| REVISION: | APPROVED: |
| QUOTE: | S.O.# |
| REF: | SCALE: NONE |

180°
270° 0° 90°
HANDHOLE